

### Description:

- Large Bowl Max Sink
- 18 gauge, 18-10 stainless steel, type 304
- **Large bowl** - 17 x 14, 8" deep  
(43 x 35, 20 cm deep)
- **Small bowl** - 17 x 10, 8" deep  
(43 x 25, 20 cm deep)
- **Overall size** - 19 x 27, 8" deep  
(48 x 69, 20 cm deep)
- 10 mm radius corners
- Rear drain location
- 2" low divide centre separation
- Creased lines on bottom to improve drainage
- Satin bowls and ledge

### Recommended minimum cabinet width:

- 30"

### Inclusions:

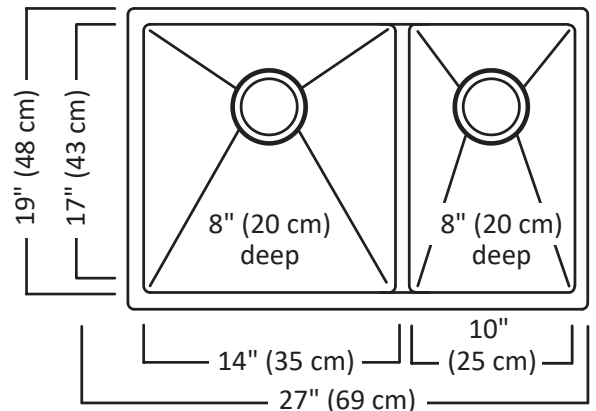
- Basket strainer: EA-114
- Undercoating and sound deadening pads
- Template
- Installation clips
- All sinks individually boxed

### Optional Accessories:

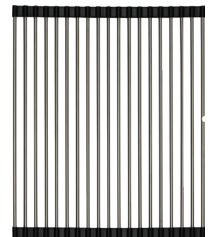
- Stainless steel bottom grid with rubber feet:  
Large bowl **EBGF1714**, Small bowl **EBGF1710**
- Stainless steel countertop roll mat with silicone wrapped bars: **ERM1914**
- Hardwood countertop cutting board: **ECB1910**
- **Reference document available:**  
*Excalibur Sink Cross Reference to Accessories*

### Certifications:

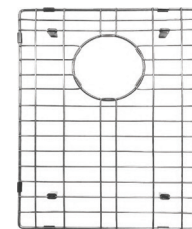
- Sinks CUPC certified by IAPMO, strainers certified by CSA



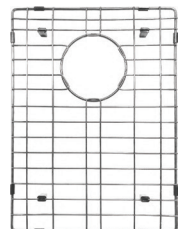
ECB1910  
Countertop  
Cutting Board



ERM1914  
Countertop  
Roll Mat



EBGF1714  
Bottom Grid



EBGF1710  
Bottom Grid

