

Description:

- 18 gauge, 18-10 stainless steel, type 304
- **Two equal bowls** - 16 x 14, 8" deep (41 x 46, 18 cm deep)
- **Overall size** - 17 3/4 x 31 1/4, 7" deep (45 x 79, 18 cm deep)
- Rear drain location
- Brush finished bowls, mirror polished rim
- Lowered centre bar to prevent spillage

Recommended cabinet size:

- 33"

Inclusions:

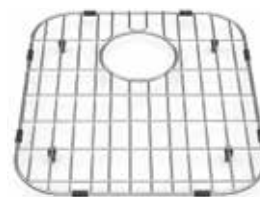
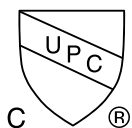
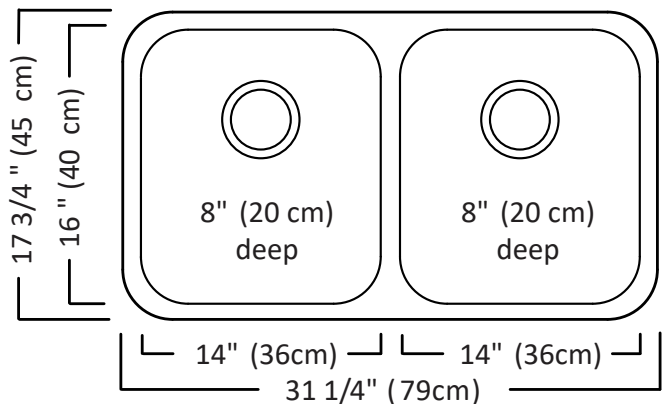
- Basket strainer (EA-114)
- Undercoating and sound deadening pads
- Template
- Hold-down clips
- All sinks individually boxed

Optional:

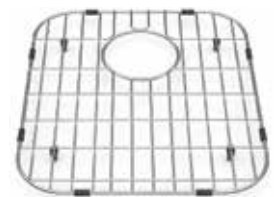
- Stainless steel bottom grids with rubber feet

Certifications:

- All product CUPC certified by IAPMO excepting strainers which are certified by CSA



Bottom Grid
EBGD1614



Bottom Grid
EBGD1614