

Description:

- 18 gauge, 18-10 stainless steel, type 304
- **Single bowl** - 18 7/8 x 21 1/2, 9" deep (48 x 55 cm, 23 cm deep)
- **Overall size** - 20 7/8 x 23-3/8, 9" deep (53 x 59, 23 cm deep)
- Rear drain location
- Brush finished bowl, mirror polished rim

Recommended cabinet size:

- 27"

Inclusions:

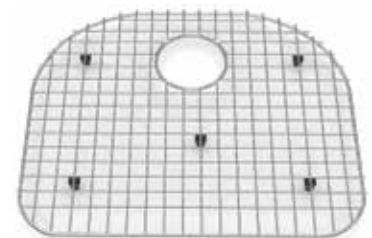
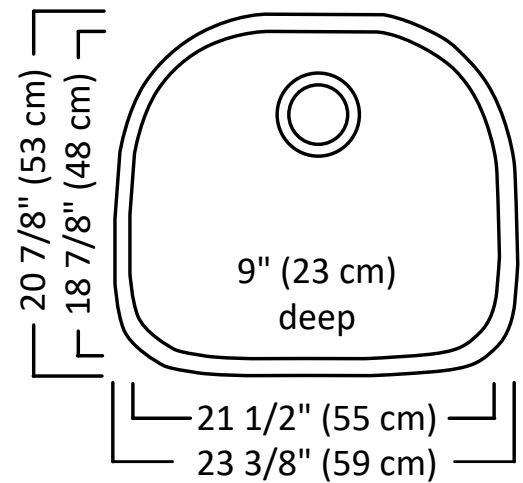
- Basket strainer: EA-114
- Undercoating and sound deadening pads
- Template
- Installation clips
- All sinks individually boxed

Optional Accessories:

- Stainless steel bottom grid with rubber feet:
EBGD1921
- **Reference document available:**
Excalibur Sink Cross Reference to Accessories

Certifications:

- Sinks CUPC certified by IAPMO, strainers certified by CSA



EBGD1921
Bottom Grid

