



## Description:

- Aspire 16 Accessorized Sink
- 16 gauge, 18-10 stainless steel, type 304
- **Two equal sized bowls** - 16 1/4 x 13 1/2, 9 1/2" deep  
(41 x 34 cm, 24 cm deep)
- **Overall size** - 18 1/4 x 30, 9 1/2" deep  
(46 x 76, 24 cm deep)
- 10 mm radius corners
- Rear drain location
- 2" low divide centre separation
- Creased lines on bottom to improve drainage
- Satin bowl and ledge

## Recommended minimum cabinet width:

- 33"

## Inclusions:

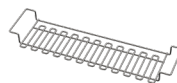
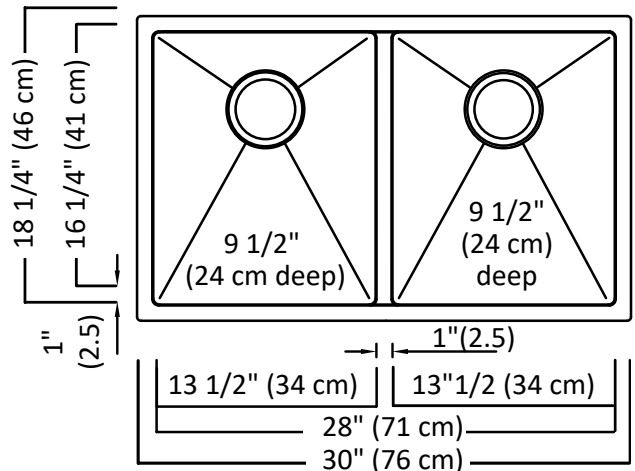
- EB-114 deep basket strainer
- Undercoating and sound deadening pads
- Template
- Installation clips
- All sinks individually boxed
- Special X-pattern bottom grids
- Stainless steel utility rack

## Certifications:

- Sinks and strainers CUPC certified through IAPMO



Shown with all included accessories

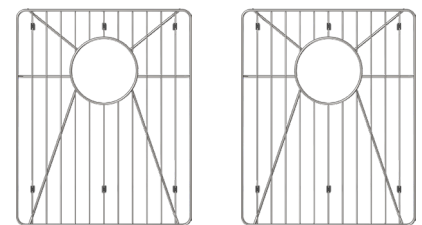


Utility Rack



EB-114

Strainer



Bottom Grids