

## Description:

- 18 gauge, 18-10 stainless steel, type 304
- **Large bowl size** - 16 x 18, 9" deep  
(41 x 46, 23 cm deep)
- **Small bowl size** - 16 x 10, 9" deep  
(41 x 25, 23 cm deep)
- **Overall size** - 20 3/4 x 32 3/4, 9" deep  
(53 x 83, 23 cm deep)
- 10 mm radius corners
- Flat front apron
- Rear drain waste hole location
- 2" low divide centre separation to avoid spillage
- Creased bottom for improved drainage
- Undercoating and sound deadening pads
- Satin finished bowl, apron front and ledge

## Recommended cabinet size:

- 33"

## Inclusions:

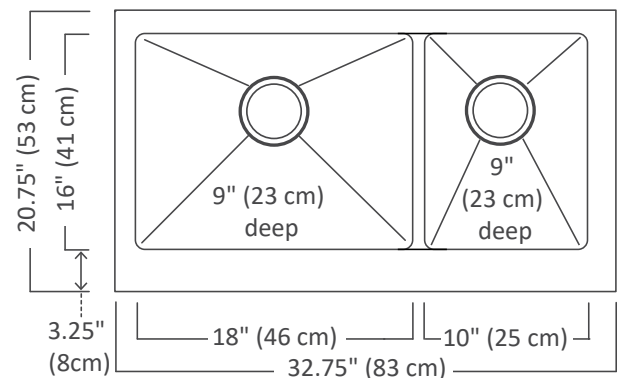
- Basket strainer: EA-114
- Undercoating and sound deadening pads
- Template
- All sinks individually boxed

## Optional Accessories:

- Stainless steel bottom grid with rubber feet:  
Large bowl **EBGF1618**, Small bowl **EBGF1610**
- Stainless steel roll mat with silicone wrapped bars: **ERM1814**
- Hardwood cutting board: **ECB1810**
- **Reference document available:**  
*Excalibur Sink Cross Reference to Accessories*

## Certifications:

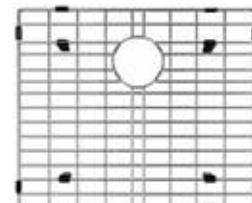
- Sinks CUPC certified by IAPMO, strainers certified by CSA



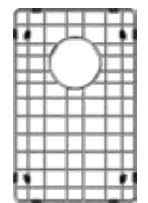
ECB1810  
Cutting Board



ERM1814  
Roll Mat



EBGF1618  
Bottom Grid



EBGF1610  
Bottom Grid

