

## Description:

- 18 gauge, 18-10 stainless steel, type 304
- **Bowl size** - 17 x 23, 8" deep  
(43 x 58, 20 cm deep)
- **Overall size** - 22 x 25, 8" deep  
(56 x 64, 20 cm deep)
- Rear drain location
- 10 mm radius corners
- Creased lines on bottom to improve drainage
- Self-rimming with faucet ledge
- Satin bowl and deck

## Faucet hole drilling:

- 3 holes, 1 1/2" diameter, 4" centre-to-centre:  
(ESLF2225/10/3)
- 4 holes, 1 1/2" diameter, 4" centre-to-centre:  
(ESLF2225/10/4)
- 1 hole, on centre, 1 1/2" diameter:  
(ESLF2225/10/1)

## Recommended cabinet size:

- 33"

## Inclusions:

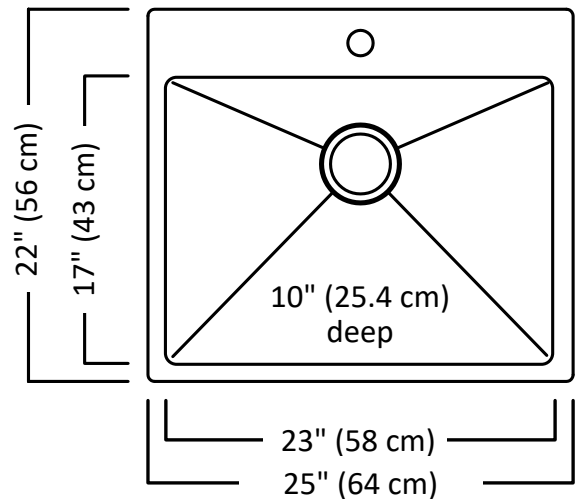
- Basket strainer: EA-114
- Undercoating and sound deadening pads
- Template
- Hold-down clips
- All sinks individually boxed

## Optional Accessories:

- Stainless steel bottom grid with rubber feet:  
**EBGF1723**
- Stainless steel roll mat with silicone wrapped bars: **ERM1914**
- Hardwood cutting board: **ECB1910**
- **Reference document available:**  
*Excalibur Sink Cross Reference to Accessories*

## Certifications:

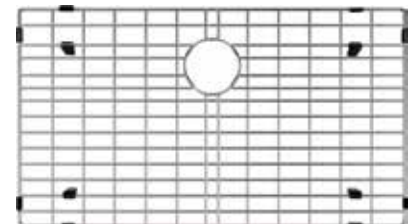
- Sinks CUPC certified by IAPMO, strainers certified by CSA



ECB1910  
Cutting Board



ERM1914  
Roll Mat



EBGF1723  
Bottom Grid

