



### Description:

- Aspire 18 Accessorized Sink
- 18 gauge, 18-10 stainless steel, type 304
- **Large bowl** - 16 x 18, 9" deep  
(41 x 45, 23 cm deep)
- **Small bowl** - 16 x 10, 9" deep  
(41 x 25, 23 cm deep)
- **Overall size** - 19 x 31, 9" deep  
(48 x 79, 23 cm deep)
- 10 mm radius corners
- Rear drain location
- Self-rimming ledge
- Flush divide centre separation
- Creased lines on bottom to improve drainage
- Satin bowls and ledge

### Recommended minimum cabinet width:

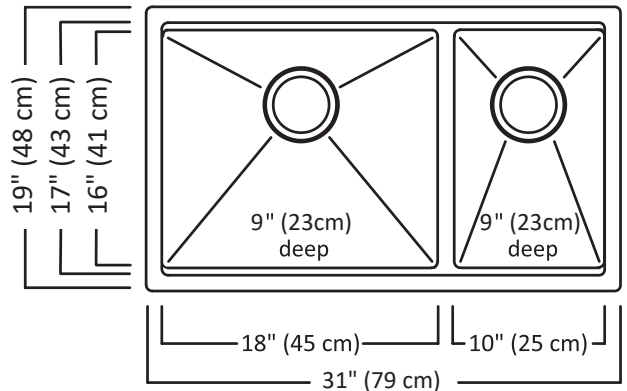
- 33"

### Inclusions:

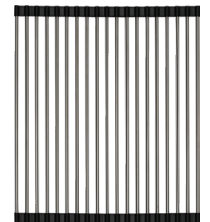
- EB-114 deep basket strainer
- Stainless steel bottom grids
- Undercoating and sound deadening pads
- Template
- Installation clips
- All sinks individually boxed
- Fitted hardwood cutting board
- Roll mat fitted to rails

### Certifications:

- Sinks and strainers CUPC certified through IAPMO



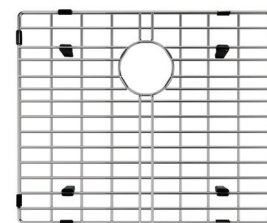
Cutting Board



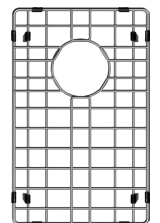
Roll Mat



Strainer



Bottom Grid



Bottom Grid

