

### Description:

- 20 gauge, 18-10 stainless steel, type 304
- **Two equal size bowls** - 16 x 14, 8" deep (41 x 36 cm, 20 cm deep)
- **Overall size** - 20 1/2 x 31 1/4, 8" deep (52 x 79, 20 cm deep)
- Rear drain location
- Self-rimming with faucet ledge and lower centre bar to avoid spillage
- Brush finished bowls, mirror finished rim

### Recommended minimum cabinet width:

- 33"

### Faucet hole drilling:

- 3 holes - 1 1/2" diameter, 4" centre-to-centre (EDL2031-8-3)
- 4 holes - 4th hole on right hand side (EDL2031-8-4)
- 1 hole on centre (EDL2031-8-1)

### Inclusions:

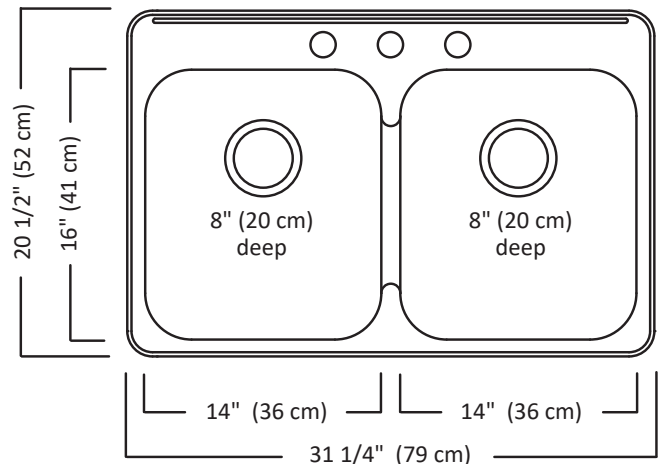
- Basket strainer: EA-114
- Undercoating and sound deadening pads
- Template
- Hold-down clips
- All sinks individually boxed

### Optional Accessories:

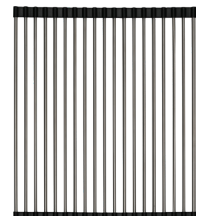
- Stainless steel bottom grid with rubber feet: **EBGD1614** fits either bowl
- Stainless steel countertop roll mat with silicone wrapped bars: **ERM1814**
- Hardwood countertop cutting board: **ECB1810**
- **Reference document available:**  
*Excalibur Sink Cross Reference to Accessories*

### Certifications:

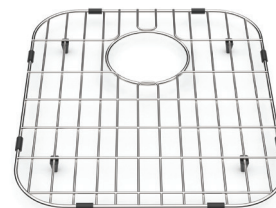
- Sinks CUPC certified by IAPMO, strainers certified by CSA



ECB1810  
Countertop  
Cutting Board



ERM1814  
Countertop  
Roll Mat



EBGD1614 Bottom Grid



EBGD1614 Bottom Grid

