

### Description:

- Aspire 18 Accessorized Sink
- 18 gauge, 18-10 stainless steel, type 304
- **Bowl size** - 16 x 24, 9" deep  
(41 x 61, 23 cm deep)
- **Overall size** - 19 x 26, 9" deep  
(48 x 66, 23 cm deep)
- 10 mm radius corners
- Rear drain location
- Self-rimming ledge
- Creased lines on bottom to improve drainage
- Satin bowl and ledge
- Built-in ledges to hold accessories

### Recommended minimum cabinet width:

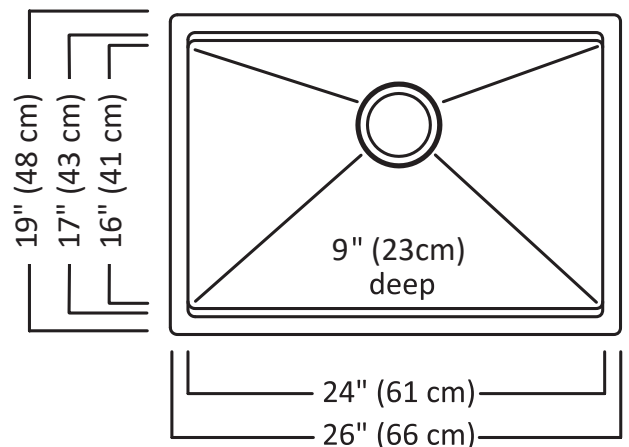
- 30"

### Inclusions:

- EB-114 deep basket strainer
- Stainless steel bottom grid
- Undercoating and sound deadening pads
- Template
- Installation clips
- All sinks individually boxed
- Fitted hardwood cutting board
- Roll mat fitted to rails

### Certifications:

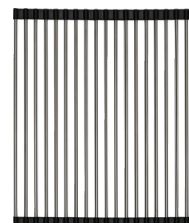
- Sinks and strainers CUPC certified through IAPMO



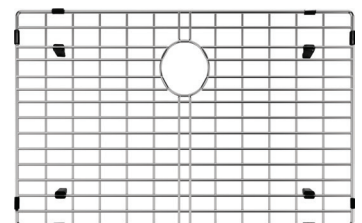
Strainer



Cutting Board



Roll Mat



Bottom Grid