



## Description:

- Aspire 18 Accessorized Sink
- 18 gauge, 18-10 stainless steel, type 304
- **Large bowl** - 16 x 14, 9" deep (41 x 35, 23 cm deep)
- **Small bowl** - 16 x 10, 9" deep (41 x 25, 23 cm deep)
- **Overall size** - 19 x 27, 9" deep (48 x 69, 23 cm deep)
- 10 mm radius corners
- Rear drain location
- Self-rimming ledge
- Flush divide centre separation
- Creased lines on bottom to improve drainage
- Satin bowl and ledge
- Built-in ledges to hold accessories

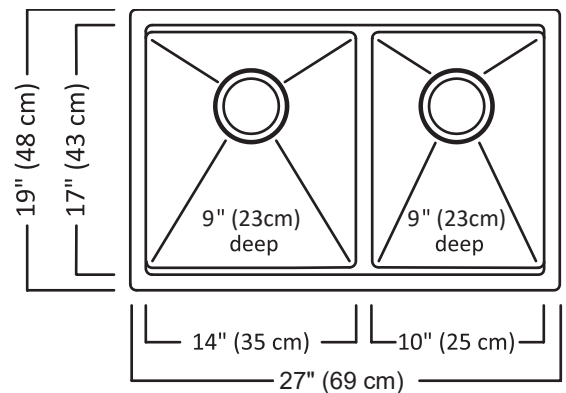


## Recommended minimum cabinet width:

- 30"

## Inclusions:

- EB-114 deep basket strainer
- Stainless steel bottom grids
- Undercoating and sound deadening pads
- Template
- Installation clips
- All sinks individually boxed
- Fitted hardwood cutting board
- Roll mat fitted to rails



## Certifications:

- Sinks and strainers CUPC certified through IAPMO

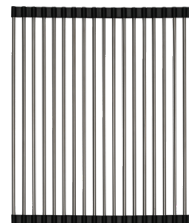


EB-114

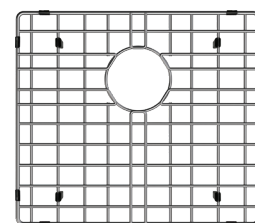
Strainer



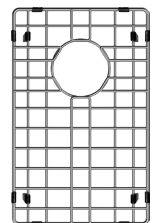
Cutting Board



Roll Mat



Bottom Grid



Bottom Grid