

### Description:

- 18 gauge, 18-10 stainless steel, type 304
- **Two equal size bowls** - 16 x 14, 8" deep (41 x 36 cm, 20 cm deep)
- **Overall size:**  
20 1/2 x 31 1/4, 8" deep (52 x 79, 20 cm deep)
- Rear drain location
- Brush finished bowl, mirror polished rim

### Recommended cabinet size:

- 33"

### Inclusions:

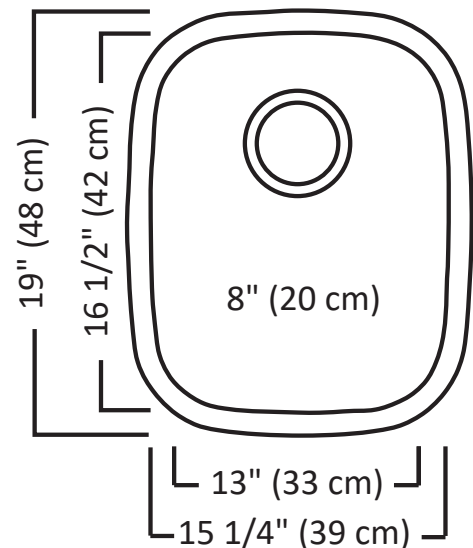
- Basket Strainer (EA-114)
- Undercoating and sound deadening pads
- Template
- Hold-down clips
- All sinks individually boxed

### Optional:

- Stainless steel bottom grid with rubber feet

### Certifications:

- All product CUPC certified by IAPMO excepting strainers which are certified by CSA



Bottom Grid  
EBGD1613

