

## Description:

- 18 gauge, 18-10 stainless steel, type 304
- **Two equal bowls** - 16 x 14, 8" deep  
(41 x 35, 20 cm deep)
- **Overall size** - 20 1/2 x 31 1/4, 8" deep  
(52 x 80, 20 cm deep)
- Rear drain location
- 10 mm radius corners
- Flush divide centre separation
- Creased lines on bottom to improve drainage
- Self-rimming with faucet ledge
- Satin bowls and deck

## Faucet hole drilling:

- 3 holes, 1 1/2" diameter, 4" centre-to-centre:  
(EDLF2031/8-FD/3)
- 4 holes, 1 1/2" diameter, 4" centre-to-centre:  
(EDLF2031/8-FD/4)
- 1 hole on centre, 1 1/2" diameter  
(EDLF2031/8-FD/1)

## Recommended cabinet size:

- 33"

## Inclusions:

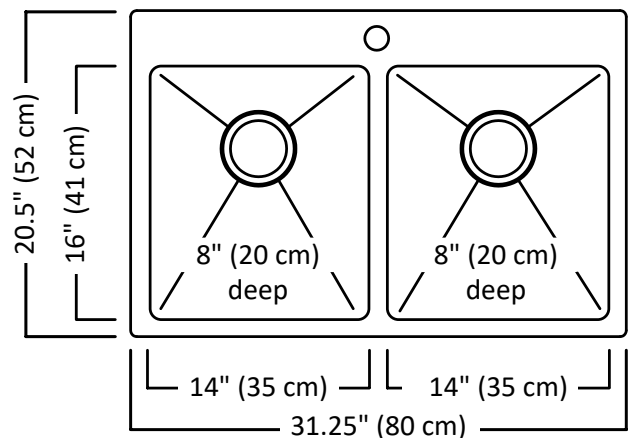
- Basket strainer: EA-114
- Undercoating and sound deadening pads
- Template
- Hold-down clips
- All sinks individually boxed

## Optional Accessories:

- Stainless steel bottom grid with rubber feet:  
**EBGF1614** fits either bowl
- Stainless steel roll mat with silicone wrapped bars: **ERM1814**
- Hardwood cutting board: **ECB1810**
- **Reference document available:**  
*Excalibur Sink Cross Reference to Accessories*

## Certifications:

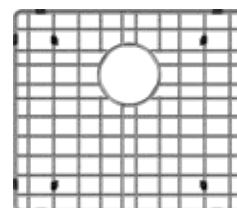
- Sinks CUPC certified by IAPMO, strainers certified by CSA



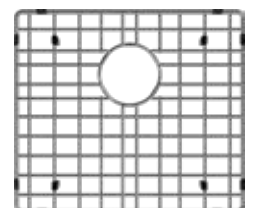
ECB1810  
Cutting Board



ERM1814  
Roll Mat



EBGF1614  
Bottom Grid



EBGF1614  
Bottom Grid

