

## Description:

- 18 gauge, 18-10 stainless steel, type 304
- **Two equal size bowls** - 16 x 14, 9" deep (41 x 35, 23 cm deep)
- **Overall size** - 18 x 31, 9" deep (45 x 79, 23 cm deep)
- 10 mm radius corners
- Rear drain location
- Flush divide centre separation
- Creased lines on bottom to improve drainage
- Satin bowl and ledge

## Recommended cabinet size:

- 33"

## Inclusions:

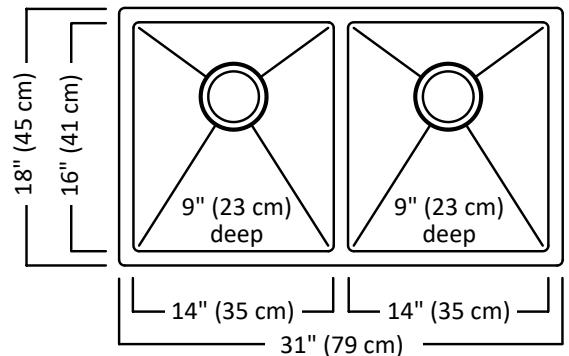
- Basket strainer: EA-114
- Undercoating and sound deadening pads
- Template
- Installation clips
- All sinks individually boxed

## Optional Accessories:

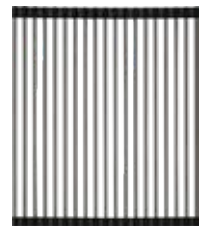
- Stainless steel bottom grid with rubber feet: **EBGF1614** fits either bowl
- Stainless steel roll mat with silicone wrapped bars: **ERM1814**
- Hardwood cutting board: **ECB1810**
- **Reference document available:**  
*Excalibur Sink Cross Reference to Accessories*

## Certifications:

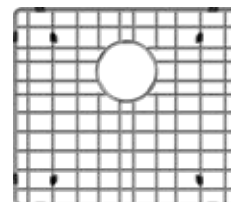
- Sinks CUPC certified by IAPMO, strainers certified by CSA



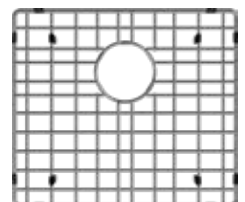
ECB1810  
Cutting Board



ERM1814  
Roll Mat



EBGF1614  
Bottom Grid



EBGF1614  
Bottom Grid

