

Description:

- 18 gauge, 18-10 stainless steel, type 304
- **Bowl size** - 16 x 27, 9" deep
(41 x 68, 23 cm deep)
- **Overall size** - 18 x 29, 9" deep
(45 x 73, 23 cm deep)
- 10 mm radius corners
- Rear drain location
- Creased lines on bottom to improve drainage
- Satin bowl and ledge

Recommended minimum cabinet width:

- 30"

Inclusions:

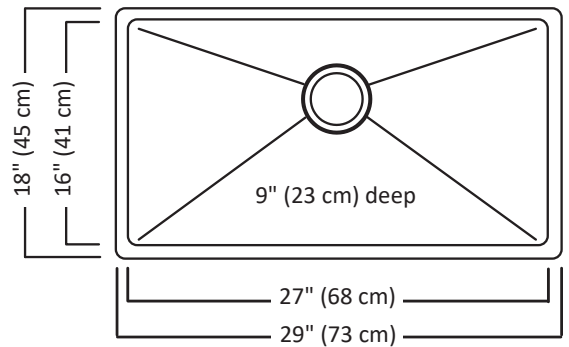
- Basket strainer: EA-114
- Undercoating and sound deadening pads
- Template
- Installation clips
- All sinks individually boxed

Optional Accessories:

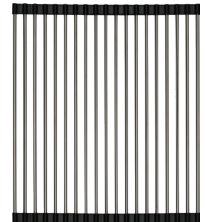
- Stainless steel bottom grid with rubber feet: **EBGF1627**
- Stainless steel countertop roll mat with silicone wrapped bars: **ERM1814**
- Hardwood countertop cutting board: **ECB1810**
- **Reference document available:**
Excalibur Sink Cross Reference to Accessories

Certifications:

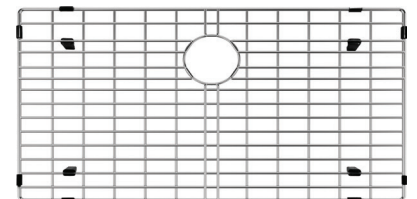
- Sinks CUPC certified by IAPMO, strainers certified by CSA



ECB1810
Countertop
Cutting Board



ERM1814
Countertop
Roll Mat



EBGF1627
Bottom Grid

