

Description:

- 18 gauge, 18-10 stainless steel, type 304
- **Bowl size** - 15 x 15, 8" deep
(43 x 38, 20 cm deep)
- **Overall size** - 17 x 15, 8" deep
(43 x 43, 20 cm deep)
- 10 mm radius corners
- Rear drain location
- Creased lines on bottom to improve drainage
- Satin bowl and ledge

Recommended cabinet size:

- 24"

Inclusions:

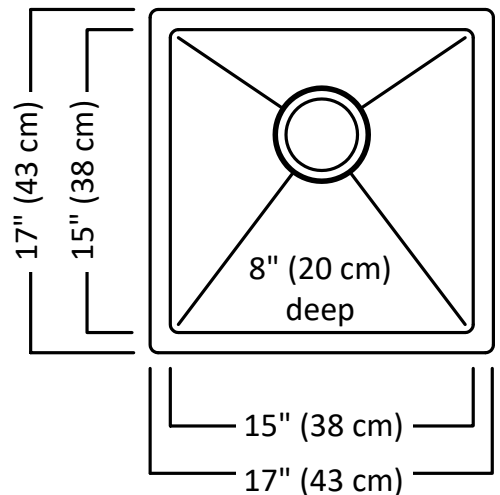
- Basket strainer: EA-114
- Undercoating and sound deadening pads
- Template
- Installation clips
- All sinks individually boxed

Optional Accessories:

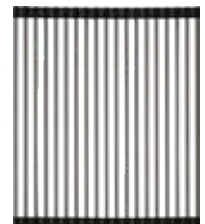
- Stainless steel bottom grid with rubber feet: **EBGF1515**
- Stainless steel roll mat with silicone wrapped bars: **ERM1814**
- Hardwood cutting board: **ECB1810**
- **Reference document available:**
Excalibur Sink Cross Reference to Accessories

Certifications:

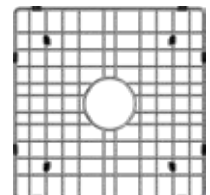
- Sinks CUPC certified by IAPMO, strainers certified by CSA



ECB1810
Cutting Board



ERM1814
Roll Mat



EBGF1515
Bottom Grid

