



### Description:

- Aspire 16 Accessorized Sink
- 16 gauge, 18-10 stainless steel, type 304
- **Large Bowl** - 16 1/4 x 19, 9 1/2" deep (41 x 48 cm, 24 cm deep)
- **Small Bowl** - 16 1/4 x 11, 9 1/2" deep (41 x 28, 24 cm deep)
- **Overall size** - 18 1/4 x 33, 9 1/2" deep (46 x 84, 24 cm deep)
- 10 mm radius corners
- Rear drain location
- 2" low divide centre separation
- Creased lines on bottom to improve drainage
- Satin bowl and ledge

### Recommended minimum cabinet width:

- 36"

### Inclusions:

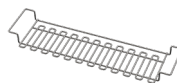
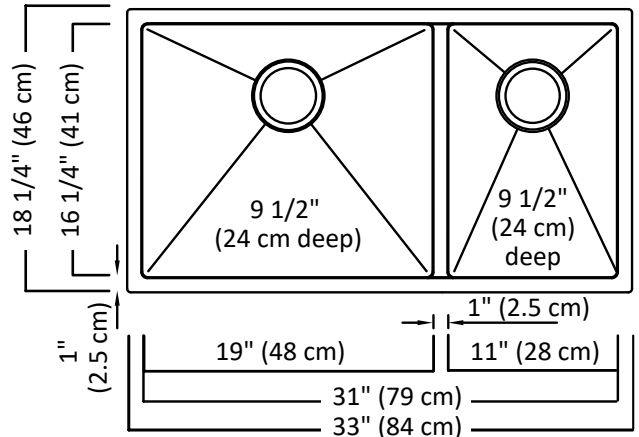
- EB-114 deep basket strainer
- Undercoating and sound deadening pads
- Template
- Installation clips
- All sinks individually boxed
- Special X-pattern bottom grids
- Stainless steel utility rack

### Certifications:

- Sinks and strainers CUPC certified through IAPMO



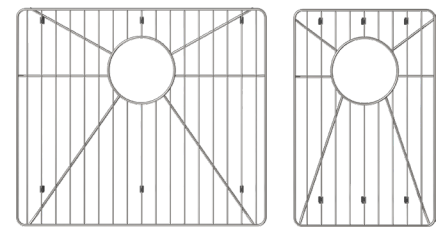
Shown with all included accessories



Utility Rack



EB-114  
Strainer



Bottom Grids