

Description:

- 18 gauge, 18-10 stainless steel, type 304
- **Two equal size bowls** - 16 x 14, 9" deep (41 x 36, 23 cm deep)
- **Overall size** - 17 3/4 x 31 1/4, 9" deep (45 x 79, 23 cm deep)
- Rear drain location
- Brush finished bowls, mirror polished rim

Recommended cabinet size:

- 33"

Inclusions:

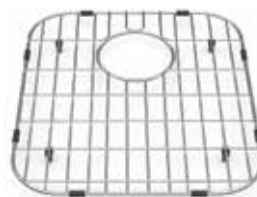
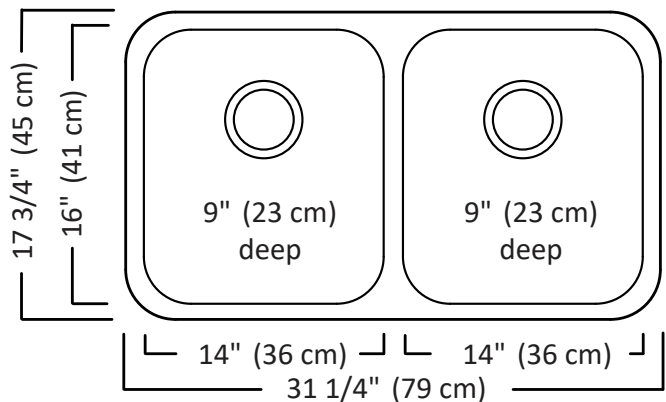
- Basket Strainer (EA-114)
- Undercoating and sound deadening pads
- Template
- Hold-down clips
- All sinks individually boxed

Optional:

- Stainless steel bottom grids with rubber feet

Certifications:

- All product CUPC certified by IAPMO excepting strainers which are certified by CSA



Bottom Grid
EBGD1614



Bottom Grid
EBGD1614

