

### Description:

- Aspire 18 Accessorized Sink
- 18 gauge, 18-10 stainless steel, type 304
- **Two equal size bowls** - 16 x 14, 9" deep (41 x 35, 23 cm deep)
- **Overall size** - 19 x 31, 9" deep (48 x 79, 23 cm deep)
- 10 mm radius corners
- Rear drain location
- Self-rimming ledge
- 2" low divide centre separation
- Creased lines on bottom to improve drainage
- Satin bowl and ledge
- **Built-in ledges to hold accessories**

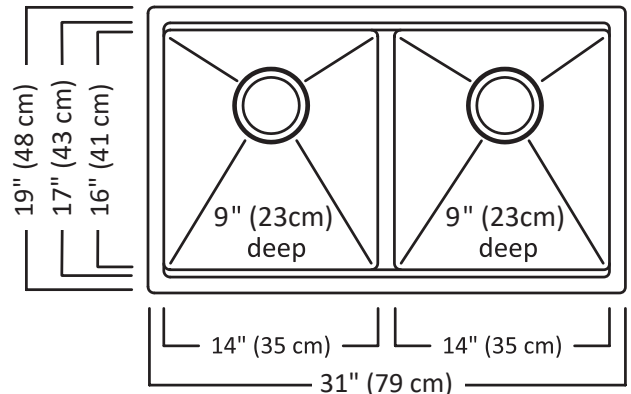


### Recommended minimum cabinet width:

- 33"

### Inclusions:

- EB-114 deep basket strainer
- Stainless steel bottom grids
- Undercoating and sound deadening pads
- Template
- Installation clips
- All sinks individually boxed
- Fitted hardwood cutting board
- Roll mat fitted to rails

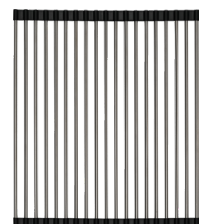


### Certifications:

- Sinks and strainers CUPC certified through IAPMO



Cutting Board

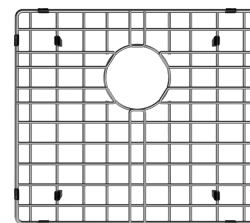


Roll Mat

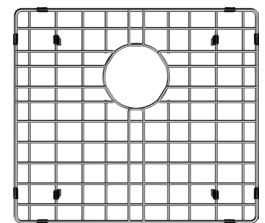
EB-114



Strainer



Bottom Grid



Bottom Grid

