

Description:

- 18 gauge, 18-10 stainless steel, type 304
- **Single Bowl** - 18 7/8 x 21 1/2, 9" deep (48 x 55 cm, 23 cm deep)
- **Overall size** - 20 7/8 x 23-3/8, 9" deep (53 x 59, 23 cm deep)
- Rear drain location
- Brush finished bowl, mirror polished rim

Recommended cabinet size:

- 27"

Inclusions:

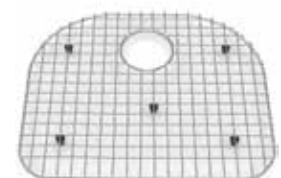
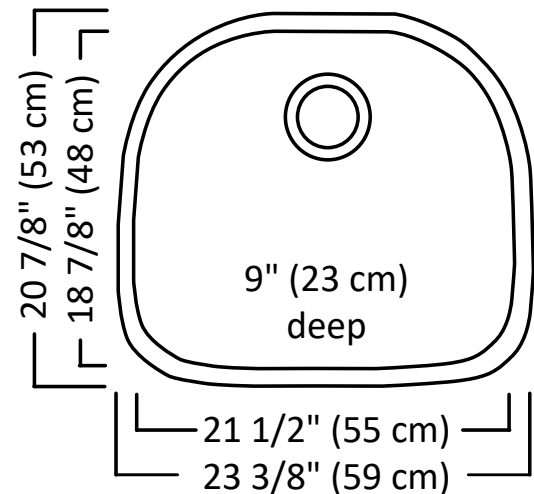
- Basket Strainer (EA-114)
- Undercoating and sound deadening pads
- Template
- Hold-down clips
- All sinks individually boxed

Optional:

- Stainless steel bottom grid with rubber feet

Certifications:

- All product CUPC certified by IAPMO excepting strainers which are certified by CSA



Bottom Grid
EBGD1921

