

Description:

- 18 gauge, 18-10 stainless steel, type 304
- **Large bowl** - 16 x 18, 8" deep
(41 x 45, 20 cm deep)
- **Small bowl** - 16 x 10, 8" deep
(41 x 25, 20 cm deep)
- **Overall size** - 20 1/2 x 31 1/4, 8" deep
(52 x 80, 20 cm deep)
- Rear drain location
- 10 mm radius corners
- Flush divide centre separation
- Creased lines on bottom to improve drainage
- Self-rimming with faucet ledge
- Satin bowl and deck

Faucet hole drilling:

- 3 holes, 1 1/2" diameter, 4" centre-to-centre
ECLF2031/8-FD/3
- 4 holes, 1 1/2" diameter, 4" centre-to-centre
(ECLF2031/8-FD/4)
- 1 hole on centre, 1 1/2" diameter
(ECLF2031/8-FD/1)

Recommended cabinet size:

- 33"

Inclusions:

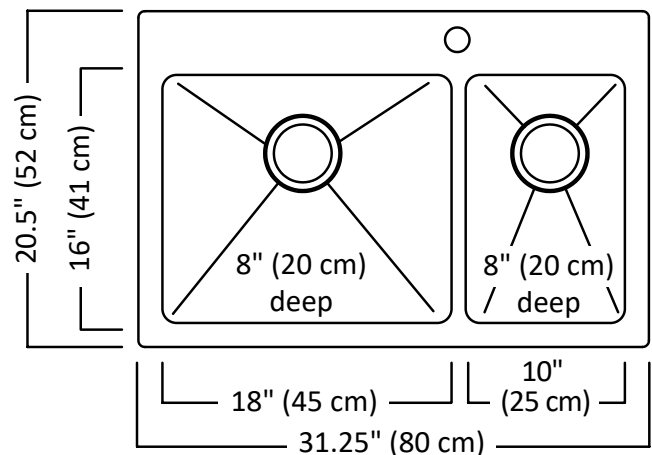
- Basket strainer: EA-114
- Undercoating and sound deadening pads
- Template
- Hold-down clips
- All sinks individually boxed

Optional Accessories:

- Stainless steel bottom grid with rubber feet
Large bowl: **EBGF1618**
Small bowl: **EBGF1610**
- Stainless steel roll mat with silicone wrapped bars: **ERM1814**
- Hardwood cutting board: **ECB1810**
- Reference document available:
Excalibur Sink Cross Reference to Accessories

Certifications:

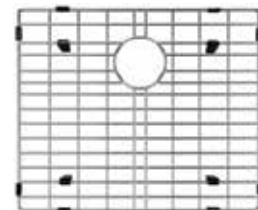
- Sinks CUPC certified by IAPMO, strainers certified by CSA



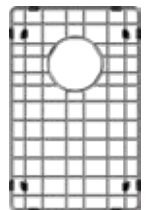
ECB1810
Cutting Board



ERM1814
Roll Mat



EBGF1618
Bottom Grid



EBGF1610
Bottom Grid

