

Description:

- 20 gauge, 18-10 stainless steel, type 304
- **Two equal size bowls** - 16 x 14, 7" deep (41 x 36 cm, 18 cm deep)
- **Overall size** - 20 1/2 x 31 1/4, 7" deep (52 x 79, 18 cm deep)
- Rear drain location
- Self-rimming with faucet ledge and lower centre bar to avoid spillage
- Brush finished bowls, mirror finished rim

Recommended minimum cabinet width:

- 33"

Faucet hole drilling:

- 3 holes - 1 1/2" diameter, 4" centre-to-centre (EDL2031-7-3)
- 4 holes - 4th hole on right hand side (EDL2031-7-4)
- 1 hole on centre (EDL2031-7-1)

Inclusions:

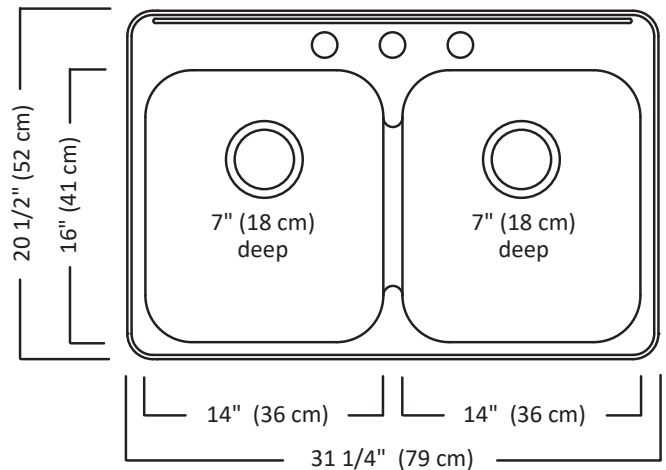
- Basket strainer: EA-114
- Undercoating and sound deadening pads
- Template
- Hold-down clips
- All sinks individually boxed

Optional Accessories:

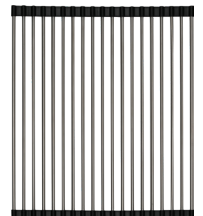
- Stainless steel bottom grid with rubber feet: **EBGD1614** fits either bowl
- Stainless steel countertop roll mat with silicone wrapped bars: **ERM1814**
- Hardwood countertop cutting board: **ECB1810**
- **Reference document available:**
Excalibur Sink Cross Reference to Accessories

Certifications:

- Sinks CUPC certified by IAPMO, strainers certified by CSA



ECB1810
Countertop
Cutting Board



ERM1814
Countertop
Roll Mat



EBGD1614 Bottom Grid



EBGD1614 Bottom Grid

