



Description:

- Aspire 16 Accessorized Sink
- 16 gauge, 18-10 stainless steel, type 304
- **Bowl size** - 16 1/4 x 25, 9 1/2" deep
(41 x 64 cm, 24 cm deep)
- **Overall size** - 18 1/4 x 27, 9 1/2" deep
(46 x 69, 24 cm deep)
- 10 mm radius corners
- Rear drain location
- Creased lines on bottom to improve drainage
- Satin bowl and ledge

Recommended minimum cabinet width:

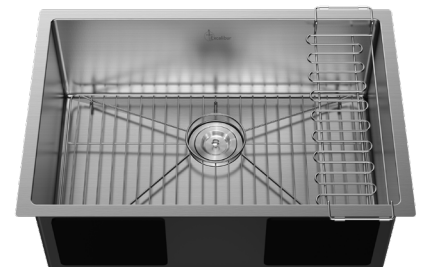
- 30"

Inclusions:

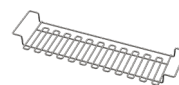
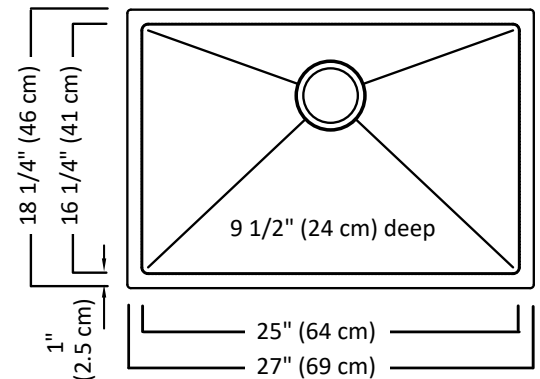
- EB-114 deep basket strainer
- Undercoating and sound deadening pads
- Template
- Installation clips
- All sinks individually boxed
- Special X-pattern bottom grids
- Stainless steel utility rack

Certifications:

- Sinks and strainers CUPC certified through IAPMO



Shown with all included accessories

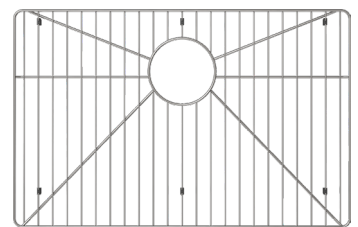


Utility Rack



EB-114

Strainer



Bottom Grid