

Description:

- 18 gauge, 18-10 stainless steel, type 304
- **Two equal bowl sizes** - 16 x 14, 9" deep (41 x 36, 23 cm deep)
- **Overall size** - 20 3/4 x 32 3/4, 9" deep (53 x 83, 23 cm deep)
- 10 mm radius corners
- Flat front apron
- Rear drain waste hole location
- 2" low divide centre separation to avoid spillage
- Creased bottom for improved drainage
- Undercoating and sound deadening pads
- Satin finished bowl, deck and apron front

Recommended cabinet size:

- 33"

Inclusions:

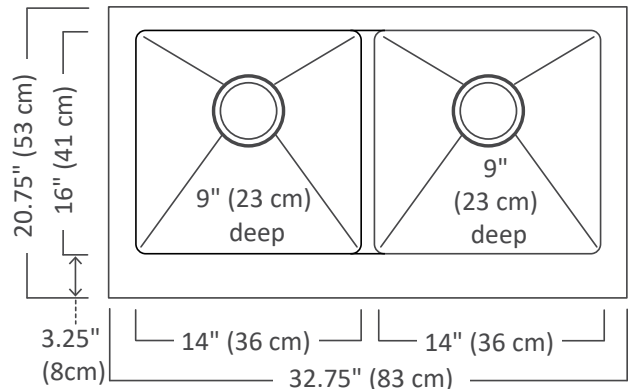
- Basket strainer: EA-114
- Undercoating and sound deadening pads
- Template
- All sinks individually boxed

Optional Accessories:

- Stainless steel bottom grid with rubber feet: **EBGF1614** fits either bowl
- Stainless steel roll mat with silicone wrapped bars: **ERM1814**
- Hardwood cutting board: **ECB1810**
- **Reference document available:**
Excalibur Sink Cross Reference to Accessories

Certifications:

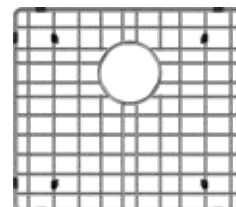
- Sinks CUPC certified by IAPMO, strainers certified by CSA



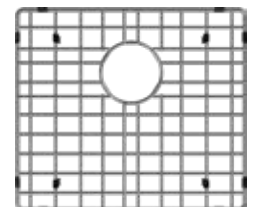
ECB1810
Cutting Board



ERM1814
Roll Mat



EBGF1614
Bottom Grid



EBGF1614
Bottom Grid

