

Description:

- 18 gauge, 18-10 stainless steel, type 304
- **Large bowl** - 18 1/2 x 17 3/4, 9" deep (47 x 45, 23 cm deep)
- **Small bowl** - 16 x 10 5/8, 7" deep (41 x 27, 18 cm deep)
- **Overall size** - 20 1/2 x 31 1/2, 9" deep (52 x 80 cm, 23 cm deep)
- Rear drain location
- Brush finished bowls, mirror polished rim

Recommended cabinet size:

- 33"

Inclusions:

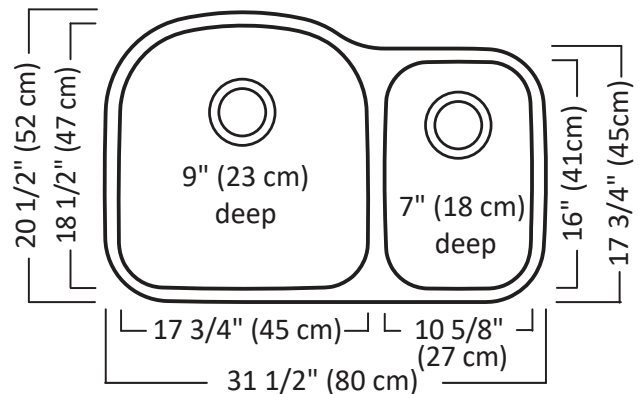
- Basket Strainer (EA-114)
- Undercoating and sound deadening pads
- Template
- Hold-down clips
- All sinks individually boxed

Optional:

- Stainless steel bottom grids with rubber feet

Certifications:

- All product CUPC certified by IAPMO excepting strainers which are certified by CSA



Bottom Grid
EBGD1614



Bottom Grid
EBGD1614