

Description:

- 20 gauge, 18-10 stainless steel, type 304
- **Bowl size** - 16 x 18, 7" deep
(41 x 46, 18 cm deep)
- **Overall size** - 17 3/4 x 20, 18 cm deep
- Rear drain location
- Satin finished bowl, polished rim

Recommended cabinet size:

- 24"

Inclusions:

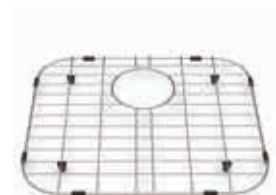
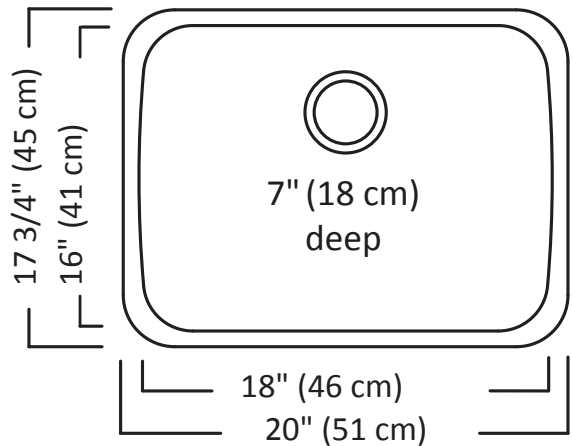
- Basket strainer (EA-114)
- Undercoating and sound deadening pads
- Template
- Hold-down clips
- All sinks individually boxed

Optional:

- Stainless steel bottom grid with rubber feet

Certifications:

- All product CUPC certified by IAPMO excepting strainers which are certified by CSA



Bottom Grid
EBGD1618

